

## EUROVAC II - PNEUMATIC SANDING PORTABLE

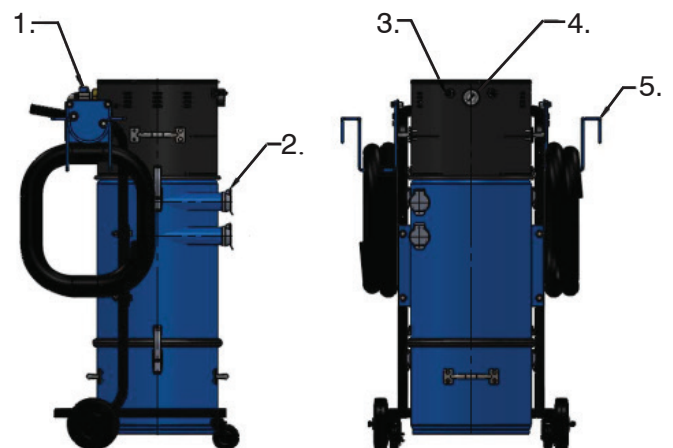
*Keep your facility safe & clean with a Eurovac portable vacuum system*



The Eurovac II portable is powered by compressed air being forced through a venturi to create a powerful vacuum. Using compressed air eliminates the chance of a dust or gas explosion as there is no sparking motor. To meet NFPA codes, the system is grounded and the vacuum hoses and cuffs are static conductive.

- System Uses: Safely collects fine powders, explosive dusts and debris: It can be used in Class I-Group D and Class II Groups E, F & G hazardous locations.
- Superior Filtration: True cyclonic filtration removes virtually all the dust prior to the secondary cartridge filter. Final polyester cartridge filter is efficient up to 99.93% at 3 micron or larger.
- Powerful venturi vacuum capable of handling two technicians sanding at the same time.
- Manual flow valve on the air intake to ensure you get just the proper amount of airflow and suction for your application.
- Quiet operation... venturi housing is insulated and baffled for sound.
- HEPA filtration is available by adding a chamber between the pump and regular filters. The HEPA filter removes the remaining 99.97% of sanding dust to a minimum of .3 micron particle.

Eurovac offers a complete line of vacuum assist hand tools, abrasives & cleaning tools



1. Ball valve and high flow 1/2" fitting
2. 1.5" inlet valve (2)
3. 1.25" compressed air connection for air tool (2)
4. Compressed air gauge
5. Sanding tool holder/hose hanger (2)